

# METRAFLEX 300M, METRAFLEX 300MXBL

## Flexible AC Current Sensors

### for Multimeters and Energy and Power Disturbance Analyzers

3-349-628-03  
8/3.16

- Wide range of applications, 3 measuring ranges  
3 A/30 A/300 A AC and large bandwidth 20 Hz ... 100 kHz for Power and mains quality analysis
- Precise measurements even with low currents, due to wide dynamic range and high sensor sensitivity
- Low conductor position influence and minimum stray field influence
- Easy to operate in restricted space thanks to small sensor cross-section of 6 mm
- Safe handling even with protection gloves; opening of sensor and measuring range setting in one-hand operation
- METRAFLEX 300MXBL: External power supply for long-term measurements:
  - MAVOWATT 230/240/270/270-400: power supply via MAVOWATT, no further accessory required
  - MAVOWATT 20/30/40/70 incl. DC/DC-Transformer ISOFLEX-MHXL
- Current sensor with protection type IP50, measuring amplifier with IP40
- High level of safety for the user, measurement category 1000 V@CAT III, 600 V @ CAT IV and unlimited overload capacity, rated for continuous use



METRAFLEX 300MXBL

## Application

METRAFLEX 300M or METRAFLEX 300MXBL are designed for the safe, precise and flexible measuring on busbars and in distribution cabinets. The coil is ideally suited for areas with restricted access and space.

The METRAFLEX are AC current probes utilising Rogowski principle. They can be used to measure AC current up to 300 A by being connected to an appropriate measuring device (multimeter, data logger, power analyser, oscilloscope etc.).

The flexible probe allows current measurements on conductors that are hard to reach. To this end, the flexible current transformers can be placed around one or several conductors of any type and design (insulated cable, busbars, pipes).

Internal batteries allow for an independent operation of the measuring amplifier.

Current sensor / Application	Multimeter	MAVOWATT 230/240/270	MAVOWATT 20, 30, 40, 70 MAVOSYS 10
METRAFLEX 300M	•		
METRAFLEX 300MXBL		•	•

## METRAFLEX 300MXBL

The flexible current sensors METRAFLEX 300MXBL can be used for long-term measurements by means of external power supply, see accessory ISOFLEX-MHXL.

For MAVOWATT 230/240/270/270-400 instruments, the current sensors METRAFLEX 300MXBL are supplied with voltage directly from the instrument. No external power supply is required.

## Technical Data

Feature	METRAFLEX 300M		
	3 A	30 A	300 A
Measuring ranges	3 A	30 A	300 A
Scaling factor	1	10	100
Output sensitivity	1000 mV/A	100 mV/A	10 mV/A
Accuracy (45 ... 65 Hz)	±1% of rdg. ±0.2 A <sup>1)</sup>		±1% of rdg. ±1 A <sup>1)</sup>
Noise	3 mV eff.	1 mV eff.	0,1 mV eff.
Output Connector	1 pair 4 mm safety plugs		

Feature	METRAFLEX 300MXBL		
	3 A	30 A	300 A
Measuring ranges	3 A	30 A	300 A
Scaling factor	2	20	200
Output sensitivity	500 mV/A	50 mV/A	5 mV/A
Accuracy (45 ... 65 Hz)	±1% of rdg. ±0.1 A <sup>1)</sup>		±1% of rdg. ±0,5 A <sup>1)</sup>
Noise	1,5 mV eff.		
Output Connector	4 pin Hypertronics plug		

<sup>1)</sup> under reference conditions

# METRAFLEX 300M, METRAFLEX 300MXBL

## Flexible AC Current Sensors

### Influencing Quantities

Output load	≥ 100 kΩ for specified accuracy
Frequency range	20 Hz bis 100 kHz ( ±1 dB / 50 Hz)
Phase angle error	< ± 1° (45 ... 65 Hz)
Position sensitivity	±2.5% of reading
External fields	±0.25% of measuring range at a distance of > 100 mm from sensor
Temperature coefficient	±0.15% of reading/°K

### Reference Conditions

Ambient temperature	+15 °C ... +25 °C
Relative humidity	20% ... 75%
Operating voltage	3 V ±0.5 V
Frequency of measured quantity	45 Hz ... 65 Hz
Waveshape of measured quantity	Sine
Power-frequency magnetic field	< 30 A/m
Conductor position	Conductor vertical in relation to sensor level and at the geometrical center
Measuring loop shape	circular
Output load	100 kΩ

### Power Supply of Measuring Amplifier

Power supply	two AA MN1500 LR6 alkaline batteries or for METRAFLEX 300MXBL external supply (2...3 V DC/max.100 mA)
Battery life	approx. 80 hrs.
External power supply for METRAFLEX 300MXBL	Connection by barrel plug socket 5.5/2.1 mm, minus at center pin

### Display Functions

Battery status	LED (orange) „LOW BATTERY“ lights up: – battery voltage too low, or – external power supply
Overcurrent	LED (red) „OVERLOAD“ lights up

### Mechanical Design

#### Measuring Amplifier

Dimensions	110 (H) x 65 (W) x 23 (D) mm
Output measuring signal	METRAFLEX 300M: 0.5 m coaxial cable connected with 4 mm safety plug METRAFLEX 300MXBL: 0.5 m coaxial cable connected with 4 pin Hypertronics plug
Material	ARNITE T06-200SNF double insulation, UL94 V-0
Protection	IP40 per DIN VDE 0470 Part 1/EN 60529

#### Flexible Rogowski Current Sensor

Sensor length	16 cm, double insulation (on request: 22 cm or 31,5 cm)
Sensor cross-section	6 mm
Connector cable	between probe and housing, length 2 m
Material	Sensor: Alcryn 2070 NC Lock: LATI LATENE 7H2W V0
Protection	IP50 per DIN VDE 0470 Part 1/EN 60529

### Ambient Conditions

Operating temperature	–20 °C to +65 °C (–4 °F to +149 °F)
Storage temperature	–40 °C to +75 °C (–40 °F to +167 °F)
Humidity	15% to 85%, no condensation allowed

### Electrical Safety

Safety class	II, double insulation
Safety standards	EN 61010-1:2001 EN 61010-031:2002 +A1:2008 EN 61010-2-032:2002
Measuring category	1000 V <sub>RMS</sub> CAT III, 600 V <sub>RMS</sub> CAT IV
Voltage between output and ground	max. 30 V
Pollution degree	2 (sensor and measuring amplifier)

### Electromagnetic Compatibility EMC

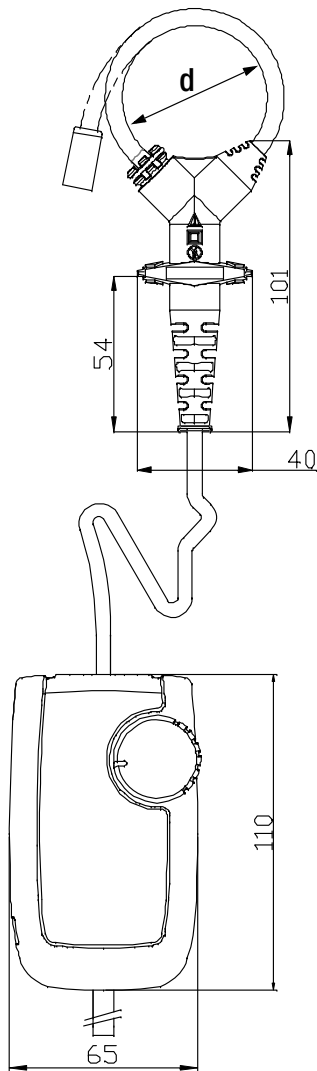
Interference emission	EN 61326-2:2006 class B
Interference immunity	EN 61326-2:2006

### Applicable Regulations and Standards

DIN EN 61010-2-032 (VDE 0411-2-032)	Safety requirements for electrical equipment for measurement, control and laboratory use – Particular requirements for hand-held and hand-operated current sensors
EN 60529 VDE 0470 Part 1	Test instruments and test procedures – degrees of protection provided by enclosures (IP code)

# METRAFLEX 300M, METRAFLEX 300MXBL Flexible AC Current Sensors

## Dimensions



METRAFLEX 300M / METRAFLEX 300MXBL – opened Sensor



METRAFLEX 300M



## Pin assignment METRAFLEX 300MXBL

### Power Supply Connection by barrel plug socket

Pin	Function
Center	- Terminal
Outside	+ Terminal

### Output connections by Hypertronics plug

Pin	Function
1	Signal Output (-) & DC Power Input (-)
2	Signal Output (+)
3	Screen
4	DC Power Input (+)



Plug seen from  
mating side

# METRAFLEX 300M, METRAFLEX 300MXBL

## Flexible AC Current Sensors

### Accessory

#### ISOFLEX-MHXL



The ISOFLEX-MHXL unit serves for the power supply of up to 4 flexible current measuring sensors of the series METRAFLEX 300MXBL.

ISOFLEX-MHXL is fed directly by the MAVOWATT 20/30/40/70 equipment power supply and takes on with its 2 outputs the supply for the MAVOWATT 20/30/40/70 and the supply of up to 4 flexible current sensors.

Input: 12 V DC – from the power supply of the MAVOWATT  
 Output 1: 12 V DC – for the supply of the MAVOWATT  
 Output 2: 3 V DC – for the supply of up to 4 flexible current sensors  
 The 4-fold distributor cable RR/PS/4A is not in the scope of supply of the ISOFLEX-MHXL.

#### Advantages

- long-term monitoring (no batteries necessary)
- no separate power supply necessary

#### 4-fold distributor cable RR/PS/4A



The distributor cable consists of a connector socket for the power supply output of ISOFLEX-MHXL and 4 plugs for the power supply inputs of a maximum of 4 AC current sensors.

### Order Information

Type	Description	Article Number
METRAFLEX 300M	Flexible AC Current Probe 3/30/300 A sensor length 16 cm (6"), battery supply, 3 V output on 4 mm safety plugs, Operating Instructions	Z207M
METRAFLEX 300MXBL/2	Flexible AC Current Probe 3/30/300 A sensor length 16 cm (6"), sensor diameter 50 mm, battery/external supply, 1.5 V output on Hypertronics plug, Operating Instructions	Z207Q
METRAFLEX 300MXBL/3	Flexible AC Current Probe 3/30/300 A sensor length 22 cm (9"), sensor diameter 70 mm, battery/external supply, 1.5 V output on Hypertronics plug, Operating Instructions	Z207Y
METRAFLEX 300MXBL/4	Flexible AC Current Probe 3/30/300 A sensor length 31,5 cm (12"), sensor diameter 100 mm, battery/external supply, 1.5 V output on Hypertronics plug, Operating Instructions	Z207Z
ISOFLEX-MHXL	Adapter for the power supply of METRAFLEX 300MXBL flexible AC current sensors via the power supply units of MAVOWATT 20/30/40/70 devices	Z817M
RR/PS/4A	4-fold distributor cable	Z818R

The METRAFLEX 300MXBL AC current sensors are supplied with batteries.

Mains adapter ISOFLEX-MHXL can be purchased separately.